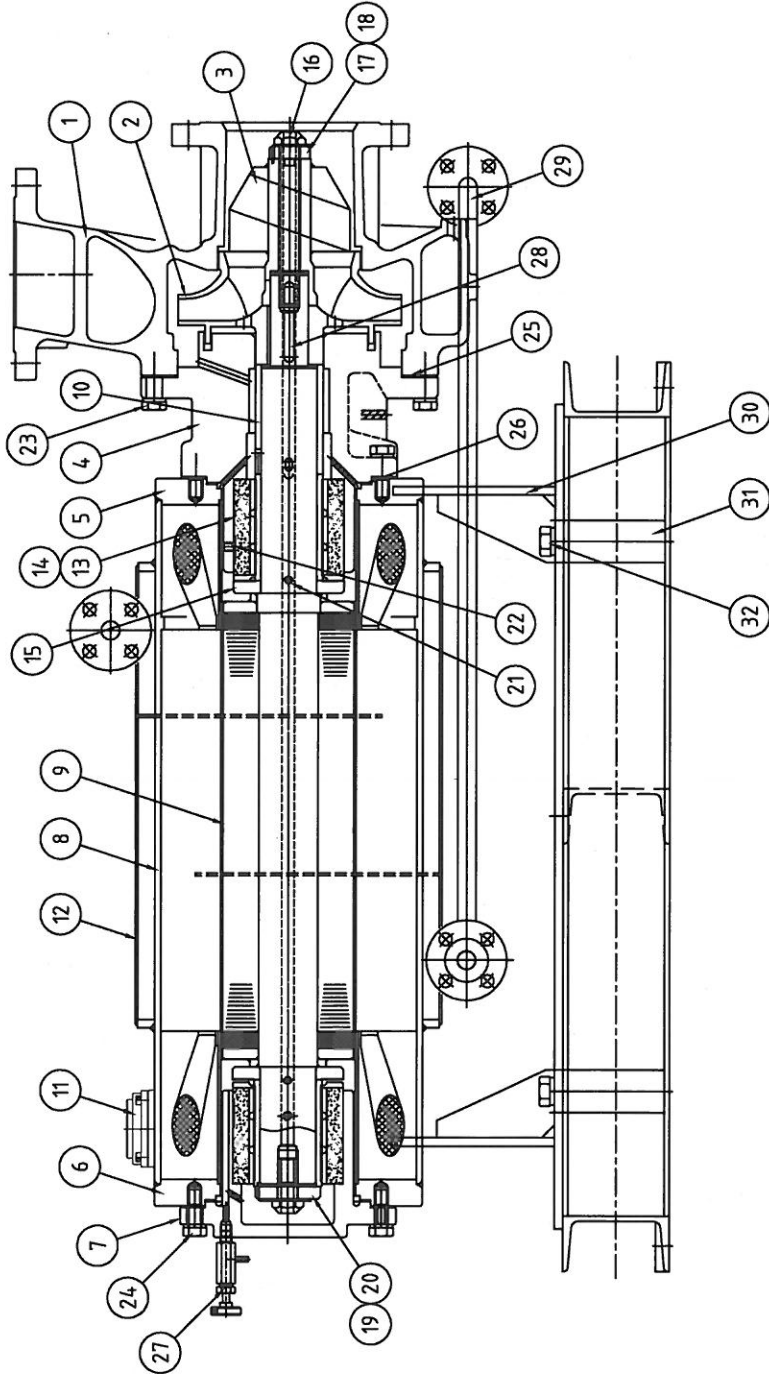


기호	원자	내용	담당	확인	승인	수정근거
△	-	-	-	-	-	-
△	-	-	-	-	-	-

ITEM NO	DESCRIPTION	MATERIAL	QTY	SIZE	REMARK
32	HEX BOLT, S/W	SCM440	4	M20x45	
31	BASE	SS400	1	-	
30	SUPPORT	SS400	1	-	
29	CIR. PIPE	SUS316L	1	-	
28	KEY	SUS316L	1	12x8x95	
27	AIR COCK ASS'Y	SUS316L	1	-	
26	GASKET	TEFLON	2	φ170xφ195x2T	
25	GASKET	TEFLON	1	φ265xφ300x2T	
24	HEX BOLT, S/W	SCM440	16	M16x45L	
23	HEX BOLT, S/W	SCM440	16	M16x50L	
22	SET SCREW	SUS316L	2	M10	
21	PIN	SUS316L	2	φ7	
20	LOCK WASHER	SUS316L	1	-	
19	WASHER	SUS316L	1	-	
18	LOCK WASHER	SUS316L	1	-	
17	WASHER	SUS316L	1	-	
16	BOLT	SUS316L	1+1	-	
15	WASHER	SUS316L+HCR	2	-	
14	SLEEVE	SUS316L+HCR	2	-	
13	CARBON BEARING	CARBON수지합원	2	-	
12	JACKET ASS'Y	-	1	-	
11	CON. BOX	SS400	1	-	
10	AUX. SLEEVE	SUS316L	1	-	
9	ROTOR ASS'Y	-	1	-	
8	STATOR ASS'Y	-	1	-	
7	RB HOUSING	SCS16	1	-	
6	REAR FLANGE	SUS316L	1	-	
5	FRONT FLANGE	SUS316L	1	-	
4	ADAPTER	SCS16	1	-	
3	INDUCER ASS'Y	SUS316L	1	-	
2	IMPELLER	SCS16	1	-	
1	CASING	SCS16	1	-	



도면의 치수에 대한 단위는 mm이다.		TYPE:		DWG NAME:	
구분	치수	단위	단위	단위	단위
1~4	1~4	mm	mm	mm	mm
5~10	5~10	mm	mm	mm	mm
11~15	11~15	mm	mm	mm	mm
16~20	16~20	mm	mm	mm	mm
21~25	21~25	mm	mm	mm	mm
26~30	26~30	mm	mm	mm	mm
31~35	31~35	mm	mm	mm	mm

THIRD ANGLE PROJECTION	SCALE	DESIGN	DATE
APPROV	CHECK	DRAWN	2018. 07. 03
HANOS	HANOS	HANOS	
DRAWN		REF. DWG. NO.	
CHECK		DWG. NO.	HPD-1825 - 0

ITEM NO		DESCRIPTION		MATERIAL		QTY		SIZE		REMARK	
EX125C-HBM0512I-SL		STRIPPED WASH OIL				1		6			