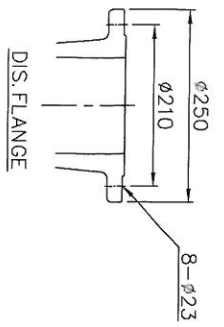
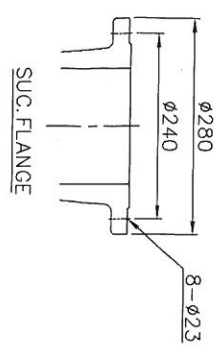
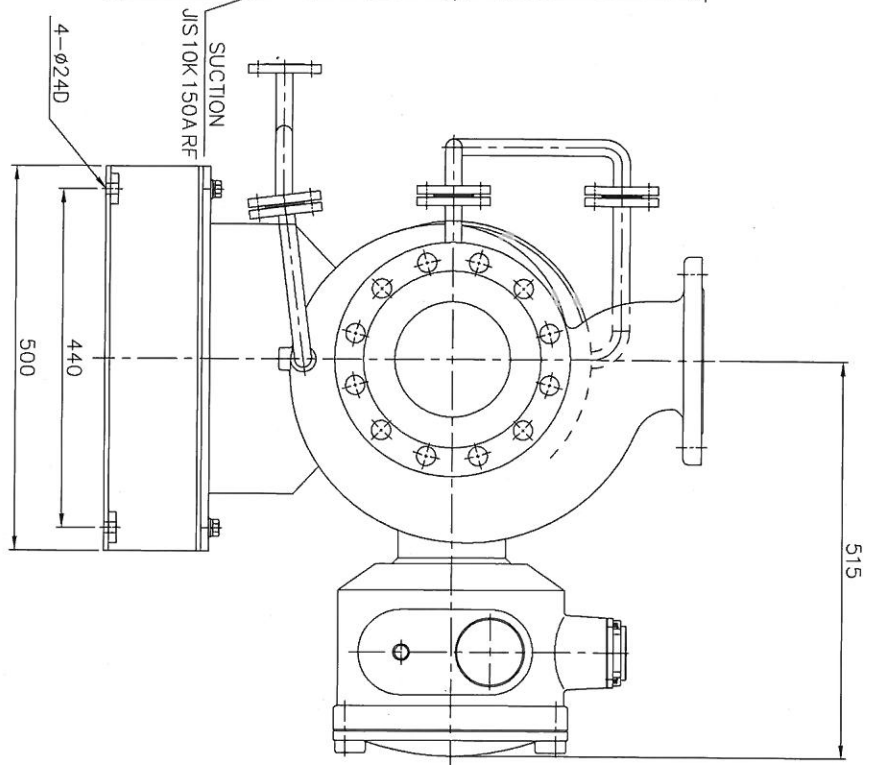
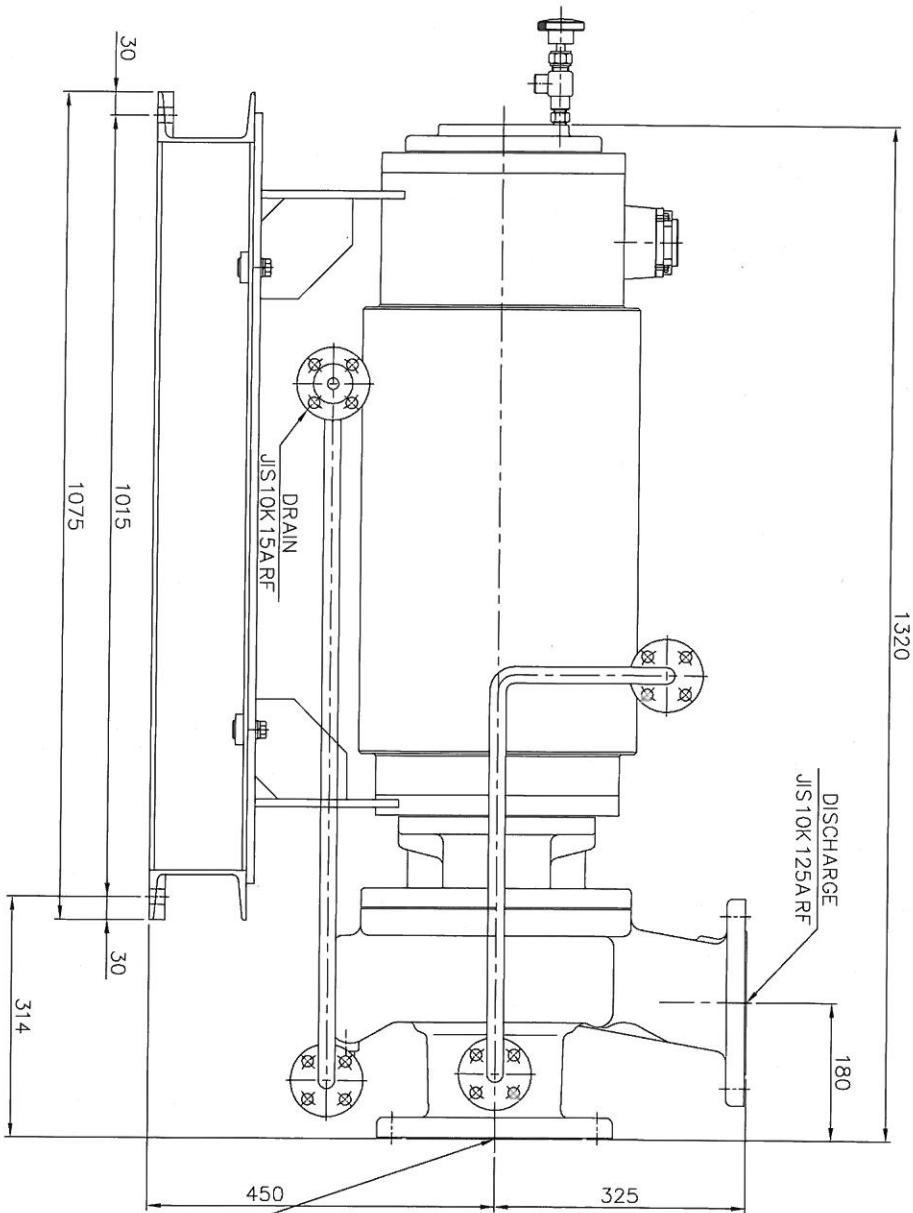


수 정 사 항					
기호	일자	내용	담당	확인	승인
△					
△					
△					



PUMP SPECIFICATION		MOTOR SPECIFICATION	
TYPE	NONSEAL	OUTPUT	90 kW
CAPACITY	160 m ³ /hr	SPEED	2950 rpm
TOTAL HEAD	64M	VOLTAGE	380 V
SUCTION SIZE	150A	PHASE	3 φ
DISCHARGE SIZE	125A	POLES	2P
SEALING	-	FREQUENCY	50 Hz

ITEM NO.	291.6
CUSTOMER	SW TECH
MODEL	EX125C-HBM05121-SL
APPROV. CHECK	DESIGN DRAWN
O.S.HAN	S.M.LEE
DATE	2018.02.27
DWG NO.	HBO-0001

NONSEAL CANNED MOTOR PUMP
OUTLINE DIMENSIONS DRAWING

HALLA INDUSTRIAL CO., LTD.
PUSAN, KOREA